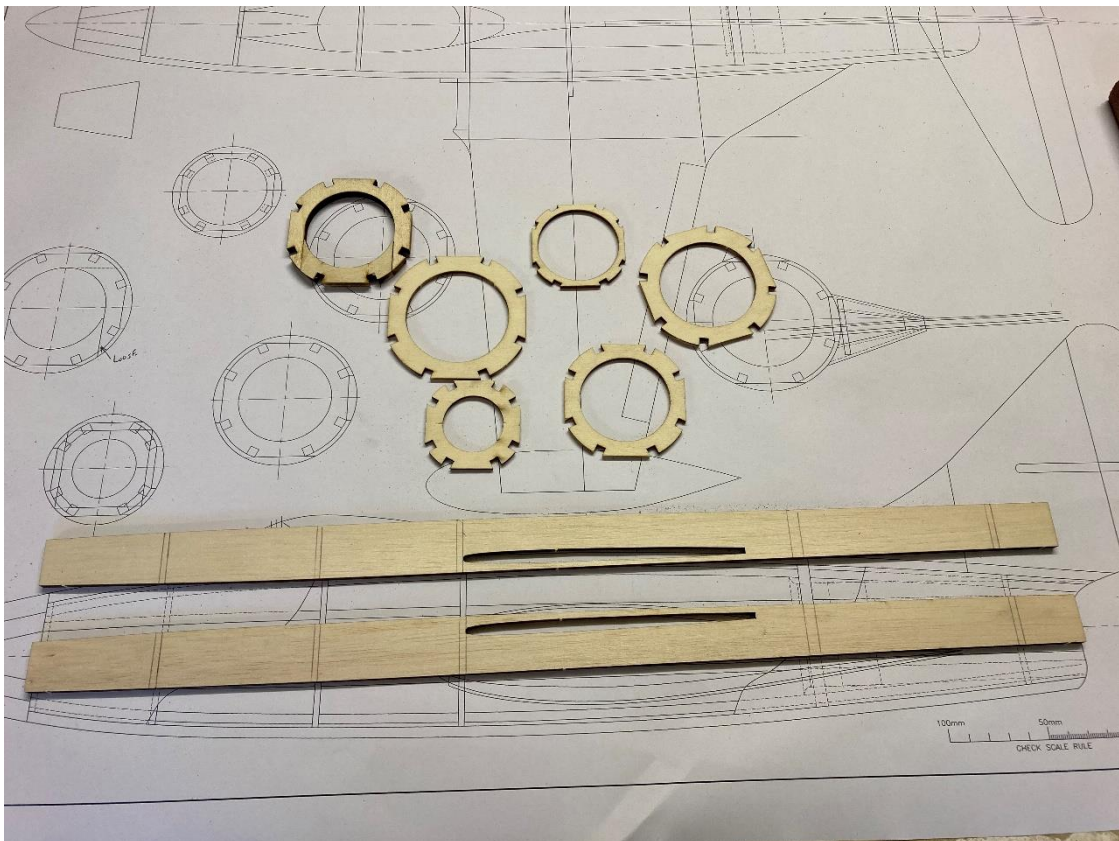


25" EDF Cougar Build photos

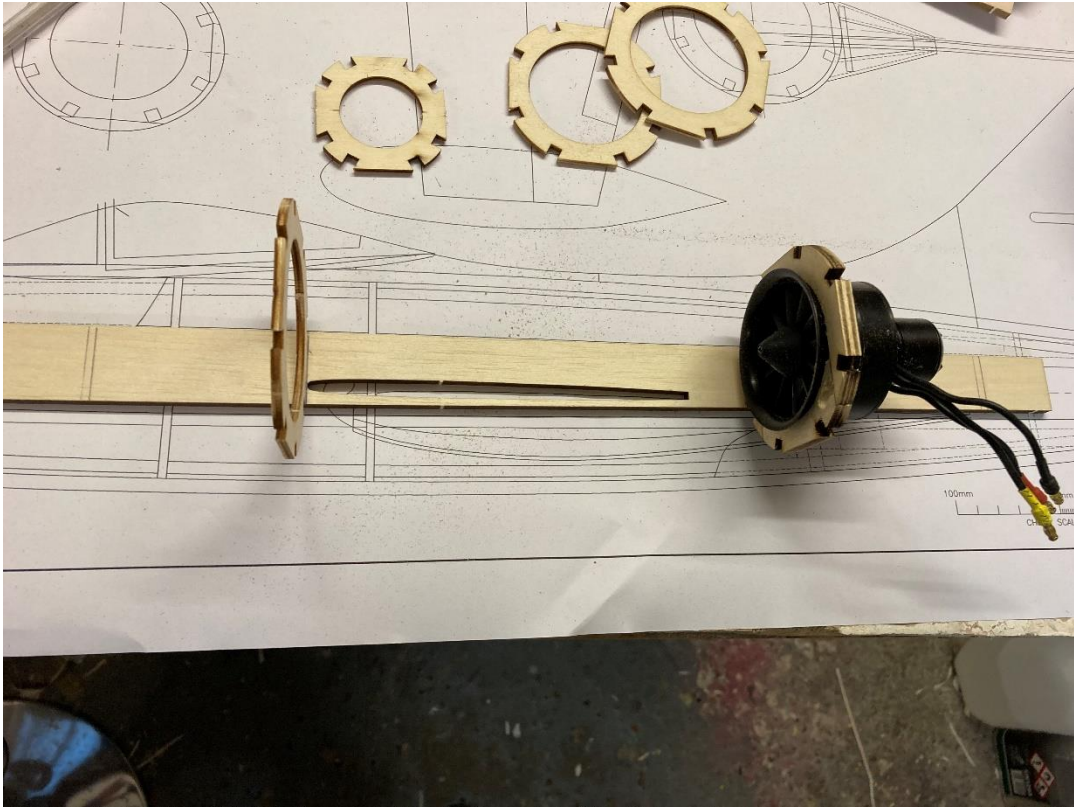


Just some of the useful tools needed plus a quality razor plane

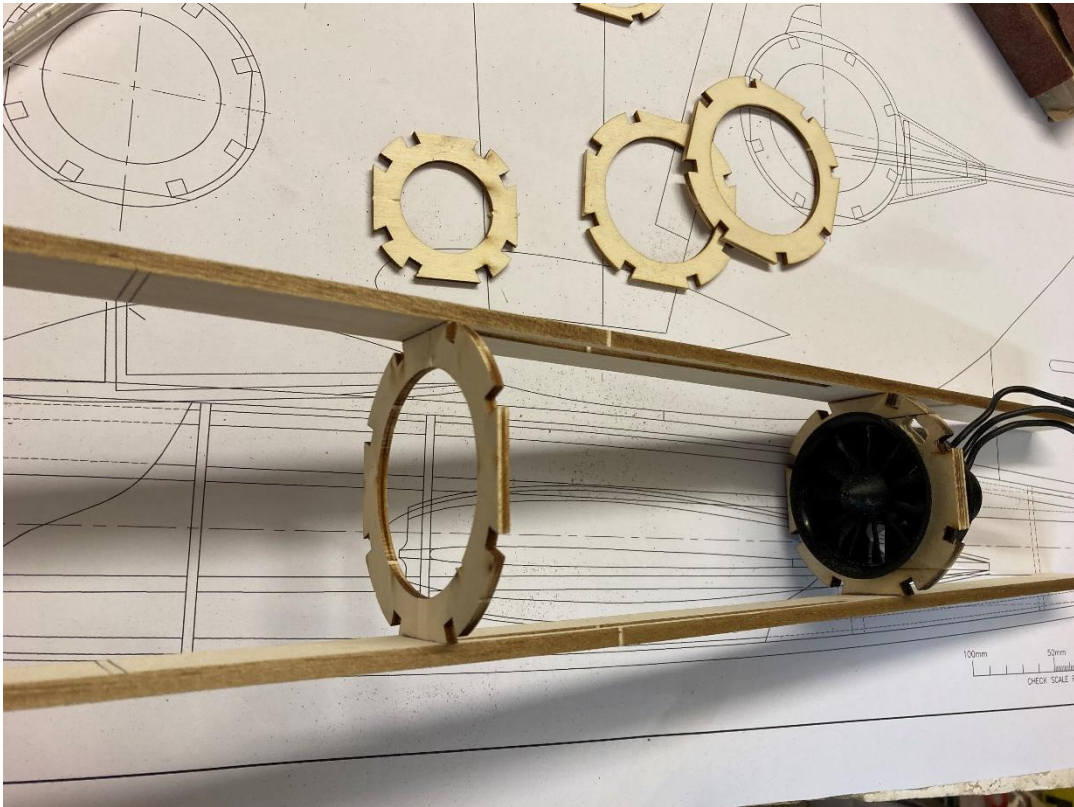
FUSELAGE



Mark former positions on each fuselage side



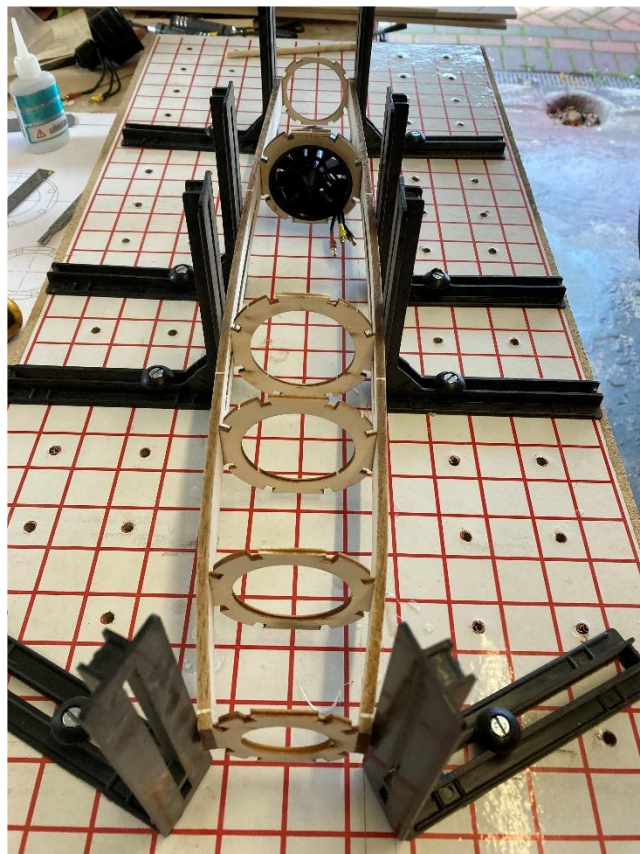
Fit the fan into the former and fit formers 6 & 7 to one fuselage side



Add the other fuselage side

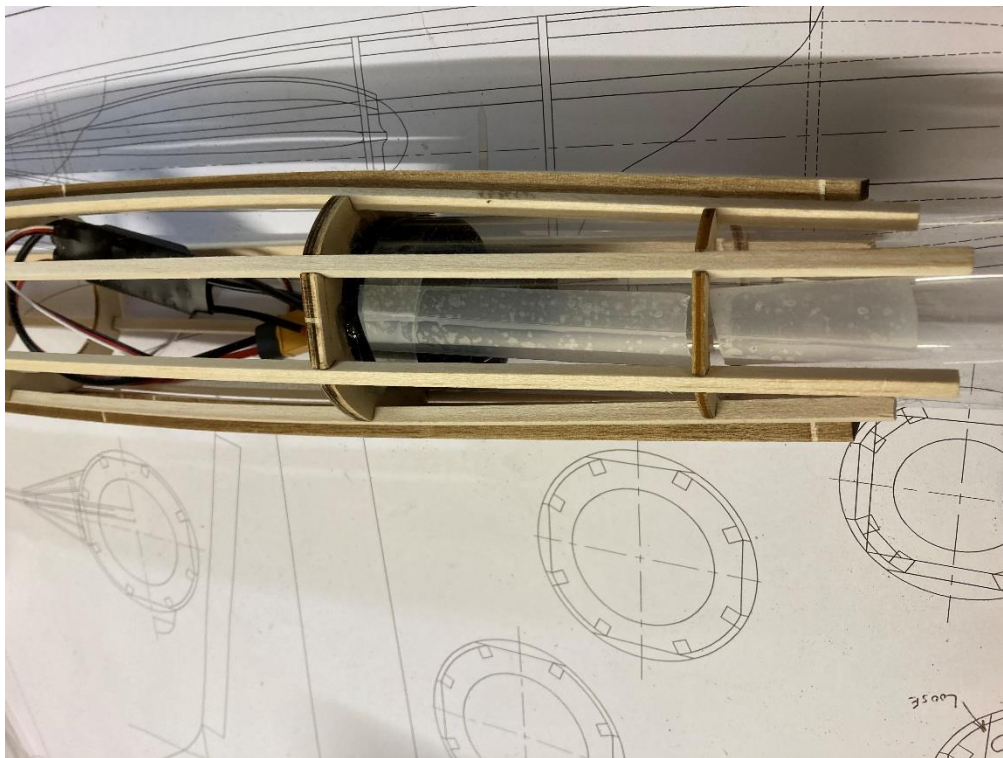


For accuracy, use a SLEC Ltd building jig to add the remaining formers 8, 9, 10 and 11





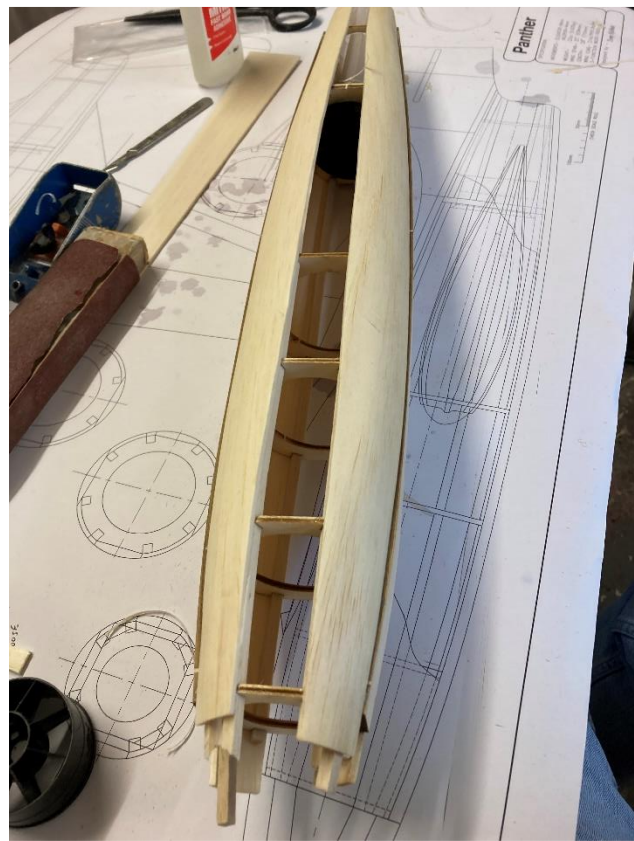
Add the 5mm stringers



Make up the thrust tube and secure this on to fan unit with hot glue



Sheet the top and bottom sections of the fuselage, using soft and wetted 2.4mm balsa





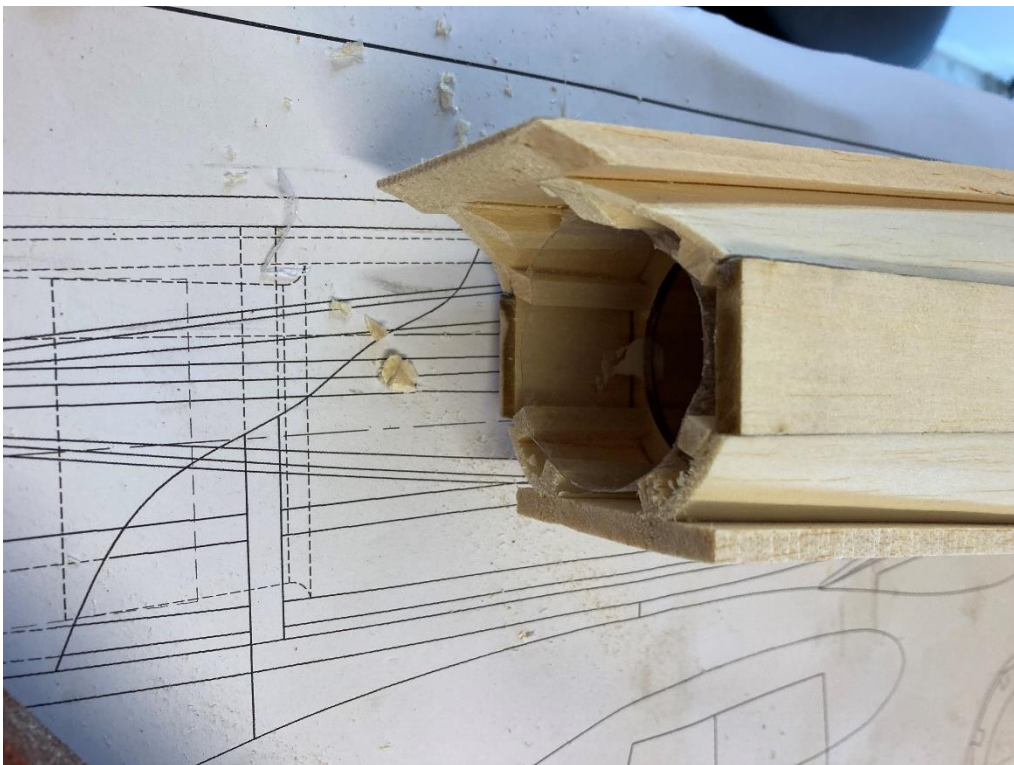
Using a sanding block, sand the top and bottom edge of the 2.4mm sheeting, back to the stringers and the top/bottom edges of the formers

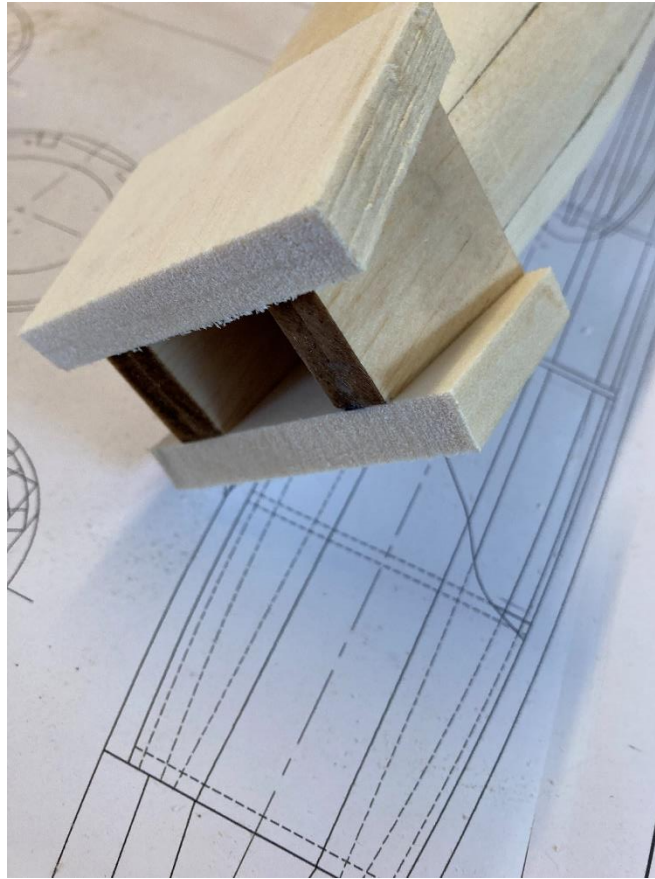


Fit and test the ESC and secure this into the model. Note that ESC timing should be set to high

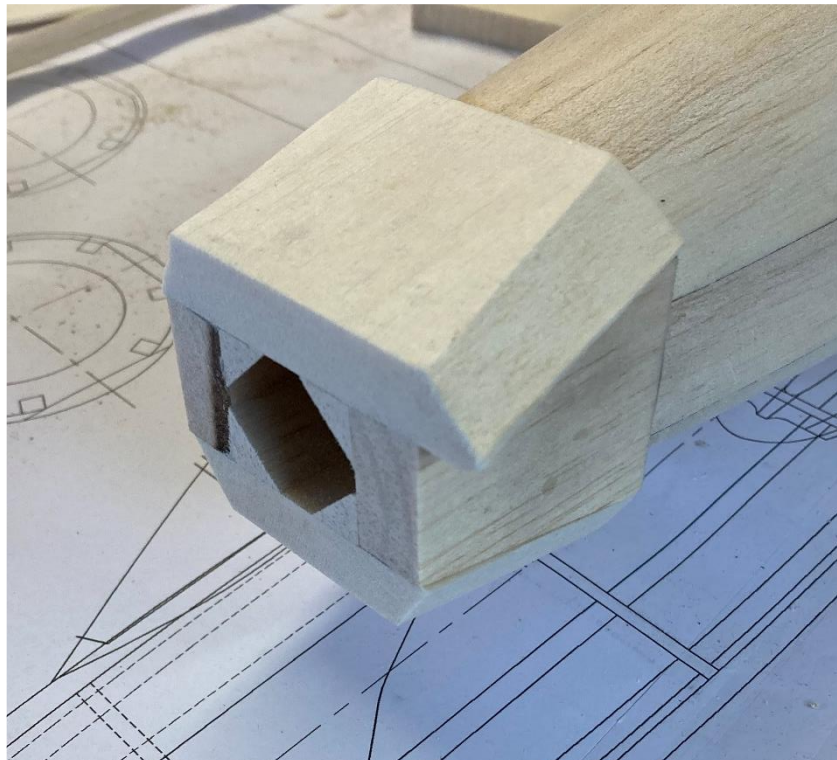


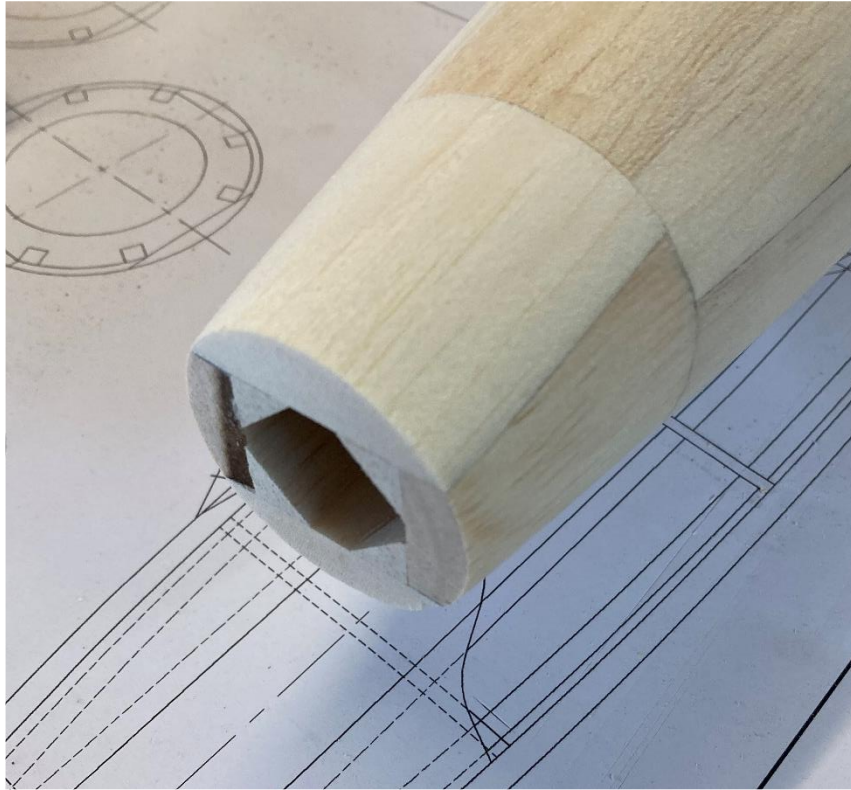
Sheet the top and bottom of the fuselage with 5mm soft balsa



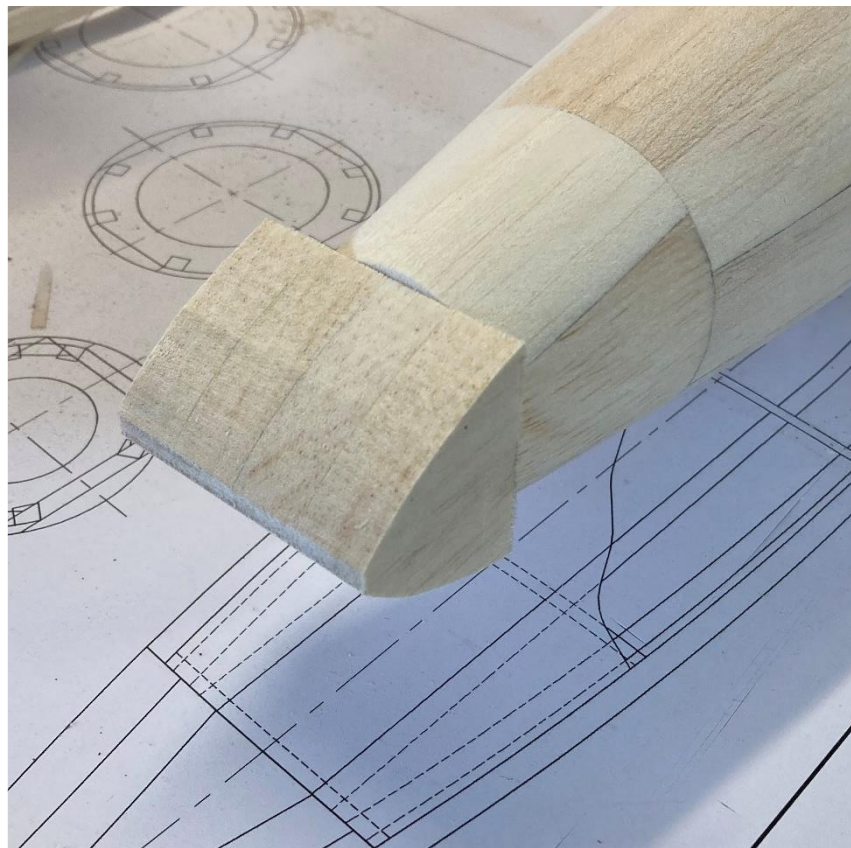


Cowl

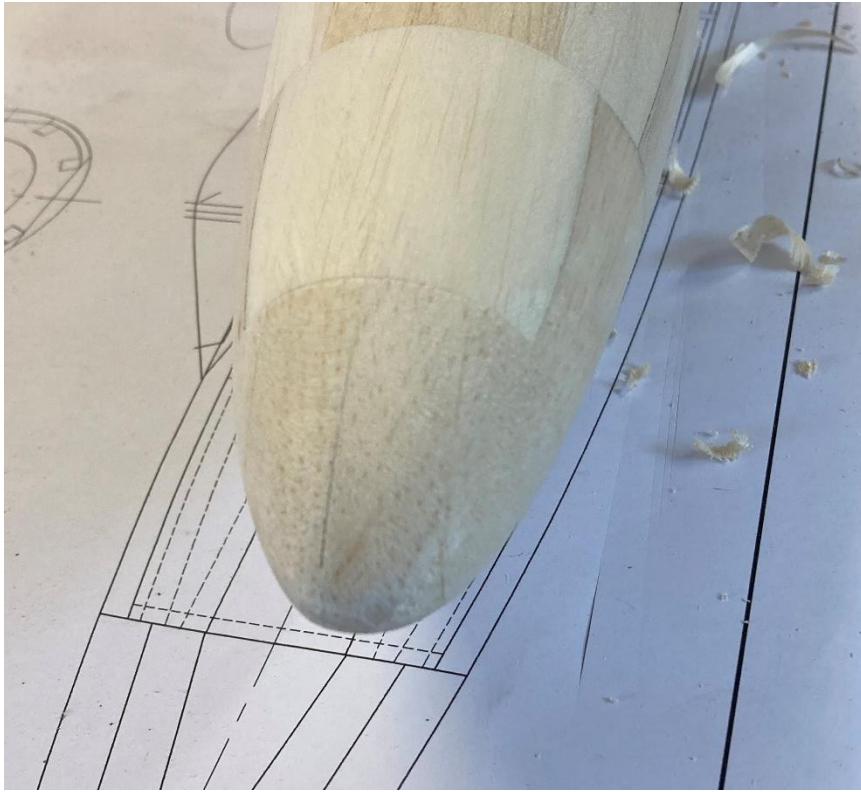


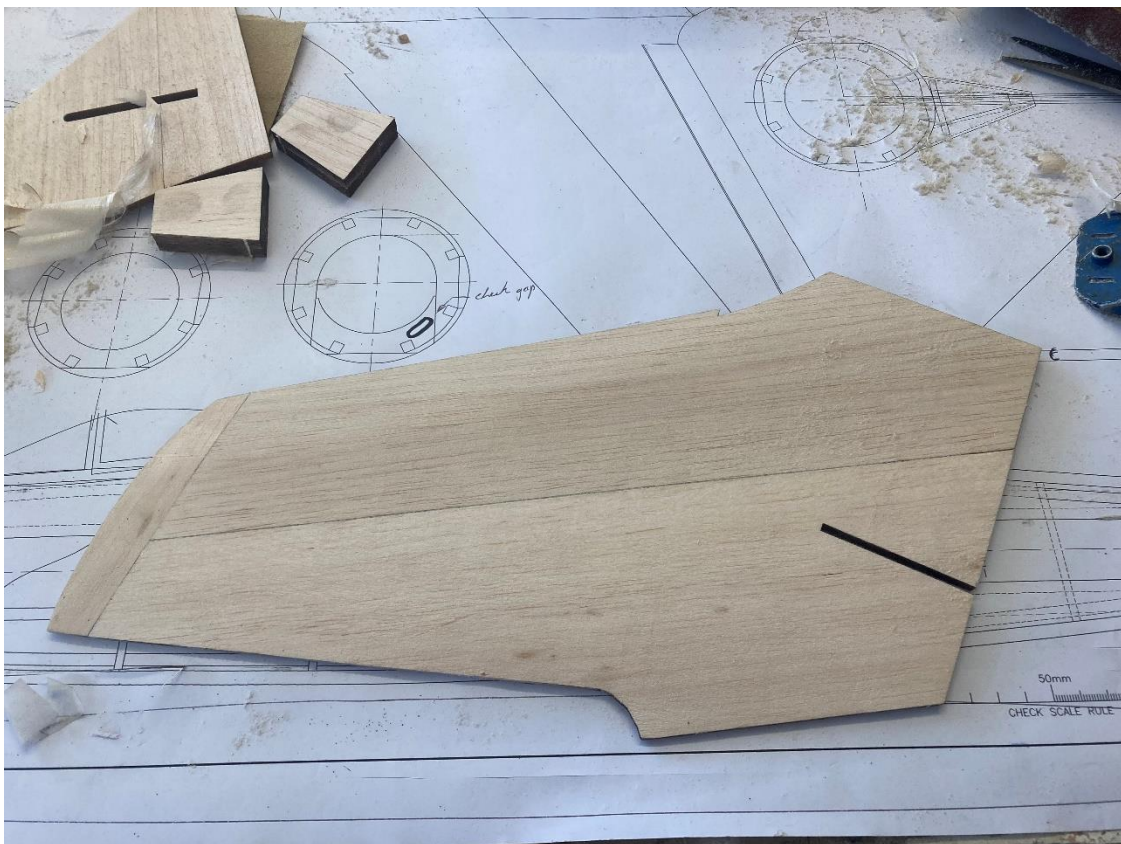


Shape cowl to blend into fuselage



Make nose block





Make up wing panels and join

